

Digital Dial Gauge MDMV 12 T

Accessories for MDMV 12 T

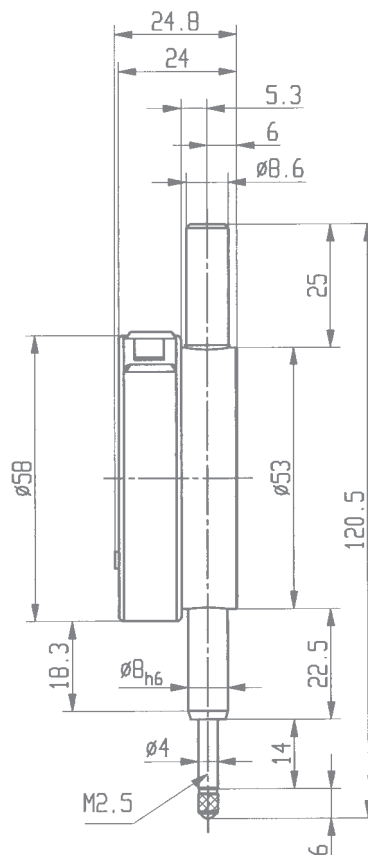
The compact construction and the well placed operating keys permit versatile application and simple operation.

Following functions of the Digital Dial Gauge MDMV 12 T can be used:

- Zero setting
- Data transmission
- Reversal of measuring direction
- mm/inch selection
- Preset of any value
- Data output Opto RS 232C or Digimatic

| Digital Dial Gauge MDMV 12 T | |
|---------------------------------------|--------------------------|
| Resolution | 0.01 mm / .0005" |
| Range | 12.5 mm / .5" |
| Digital display LCD, height of digits | 8.5 mm |
| Measuring system | capacitive |
| Power supply | on battery 3 V, CR 2032 |
| Battery life | 2 years |
| Output | Opto RS 232 or Digimatic |
| Measuring force | 0.7 – 1.1 N |
| Working temperature | +10°C – +40°C |
| Maximum error | 20 µm / .0008" + 1 Digit |
| Dimensioned drawing | page 79 |

| Accessories for MDMV 12 T | |
|--|-------------------|
| Data connection cable Opto RS232C with SUB-D jack 9-pin | DCMV 232 |
| Data connection cable Digimatic with flat connector 10-pin | DCMV DIGIMATIC |
| Battery 3V, type CR 2032 | BCR 2032 |
| Contact points | see pages 87 – 88 |



Digital Dial Gauge MD 12 T

Digital Dial Gauge FMD 12 T

The digital display with its large numerals makes it very simple to use this Dial Gauge. Function and display section can be rotated through 270°. The sturdy construction guarantees precision and reliability.

Following functions of the Digital Dial Gauges MD 12 T and FMD 12 T can be used:

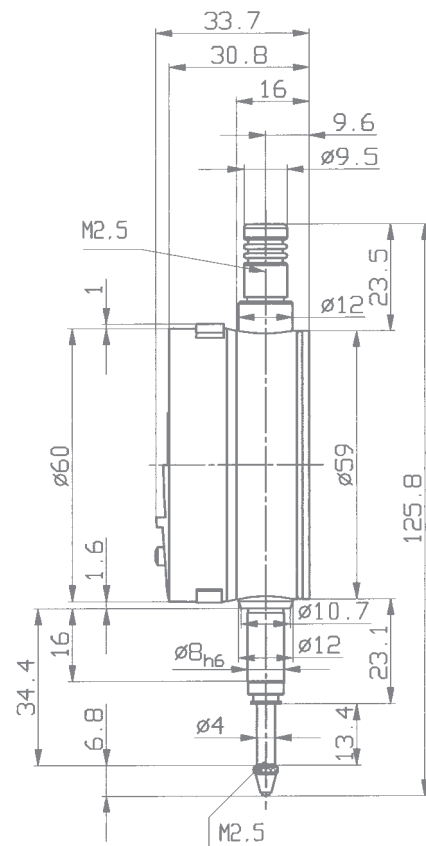
- Zero setting
- mm/inch selection
- Memory set Hold
- Data transmission
- Ref I / Ref II
- Preset value recall
- Selection of measuring direction
- Selection of reading (only FMD 12 T)
- Data request by any ASCII Code

| Digital Dial Gauge MD 12 T | |
|---------------------------------------|------------------------------|
| Resolution | 0.01 mm / .0005" |
| Range | 12.5 mm / .5" |
| Digital display LCD, height of digits | 8.5 mm |
| Measuring system | inductive |
| Power supply | on Lithium battery 3 V |
| Battery life | 3000 h |
| Output | RS 232, optoelectronic / USB |
| Working temperature | +5 °C – +40 °C |
| Maximum error | 10 µm / .0004" ± 1 Digit |
| Dimensioned drawing | page 80 |

| Digital Dial Gauge FMD 12 T | |
|---------------------------------------|------------------------------|
| Resolution | 0.001 mm / .00005" |
| Range | 12.5 mm / .5" |
| Digital display LCD, height of digits | 8.5 mm |
| Measuring system | inductive |
| Power supply | on Lithium battery 3 V |
| Battery life | 3000 h |
| Output | RS 232, optoelectronic / USB |
| Working temperature | +5 °C – +40 °C |
| Maximum error | 5 µm / .0002" |
| Dimensioned drawing | page 80 |



Model shown: MD 12 T



Digital Dial Gauge MD 25 T

Digital Dial Gauge FMD 25 T

The digital display with its large numerals makes it very simple to use this Dial Gauge. Function and display section can be rotated through 270°. The sturdy construction guarantees precision and reliability.

Following functions of the Digital Dial Gauges MD 25 T and FMD 25 T can be used:

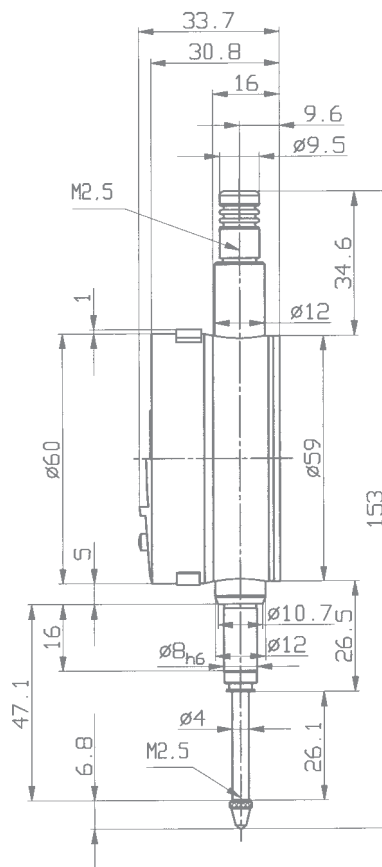
- Zero setting
- mm/inch selection
- Memory set Hold
- Data transmission
- Ref I / Ref II
- Preset value recall
- Selection of measuring direction
- Selection of reading (only FMD 25 T)
- Data request by any ASCII Code

| Digital Dial Gauge MD 25 T | |
|---------------------------------------|------------------------------|
| Resolution | 0.01 mm / .0005" |
| Range | 25 mm / 1" |
| Digital display LCD, height of digits | 8.5 mm |
| Measuring system | inductive |
| Power supply | on Lithium battery 3 V |
| Battery life | 3000 h |
| Output | RS 232, optoelectronic / USB |
| Working temperature | +5 °C – +40 °C |
| Maximum error | 10 µm / .0004" ± 1 Digit |
| Dimensioned drawing | page 81 |

| Digital Dial Gauge FMD 25 T | |
|---------------------------------------|------------------------------|
| Resolution | 0.001 mm / .00005" |
| Range | 25 mm / 1" |
| Digital display LCD, height of digits | 8.5 mm |
| Measuring system | inductive |
| Power supply | on Lithium battery 3 V |
| Battery life | 3000 h |
| Output | RS 232, optoelectronic / USB |
| Working temperature | +5 °C – +40 °C |
| Maximum error | 5 µm / .0002" |
| Dimensioned drawing | page 81 |



Model shown: FMD 25 T



Small Digital Dial Gauge KMD 12 T

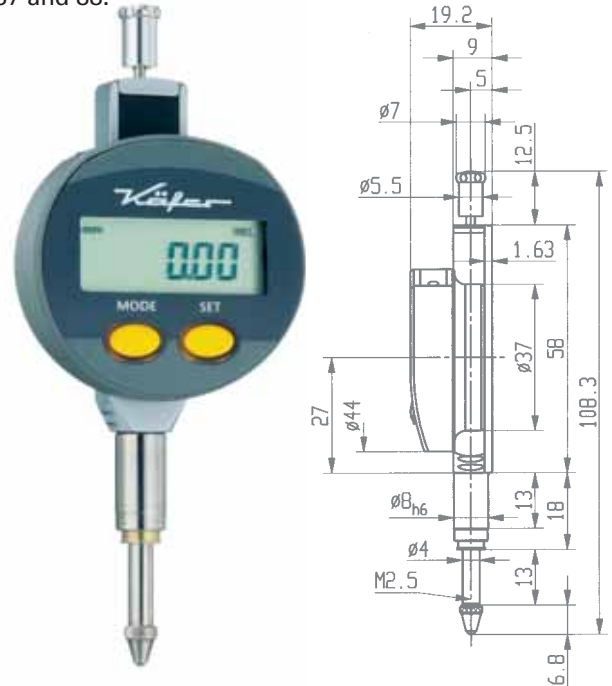
Following functions of the Small Digital Dial Gauge KMD 12 T can be used:

- Zero setting
- mm/inch selection
- Absolute / relative mode
- Preset value recall
- Data transmission
- Selection of measuring direction

Small Digital Dial Gauge KMD 12 T

| | |
|---------------------------------------|--|
| Resolution | 0.01 mm/.0005" |
| Range | 12.5 mm/.5" |
| Digital display LCD, height of digits | 6 mm |
| Measuring system | inductive |
| Power supply | on Lithium battery 3 V |
| Battery life | 5000 h |
| Output | RS 232, with external power supply / USB |
| Working temperature | +5 °C – +40 °C |
| Maximum error | 10 µm / .0004" ± 1 Digit |
| Dimensioned drawing | page 82 |

The dovetail at the rear offers an additional fixing option. The standard contact point can be exchanged for specially styled contact points as listed on pages 87 and 88.



Summary of important technical data of other Digital Dial Gauges and accessories

| Digital Dial Gauges | Resolution | Range | Bezel-Ø | Stem-Ø | Maximum error | Data cable | Special feature |
|---------------------|------------|---------|---------|--------|-----------------|---------------------|------------------|
| KMD 5 R | 0.01 mm | 5 mm | 44 mm | 8 h 6 | 10 µm ± 1 Digit | DCKMD 232/DCKMD USB | back plunger |
| KMD 12 T wa | 0.01 mm | 12.5 mm | 44 mm | 8 h 6 | 10 µm ± 1 Digit | DCKMD 232/DCKMD USB | water protected |
| FKMD 5 R | 0.001 mm | 5 mm | 44 mm | 8 h 6 | 5 µm | DCKMD 232/DCKMD USB | back plunger |
| FKMD 12 T | 0.001 mm | 12.5 mm | 44 mm | 8 h 6 | 5 µm | DCKMD 232/DCKMD USB | |
| MD 50 T | 0.01 mm | 50 mm | 60 mm | 8 h 6 | 20 µm ± 1 Digit | DCMD 232/DCMD USB | |
| FMD 50 T | 0.001 mm | 50 mm | 60 mm | 8 h 6 | 7 µm | DCMD 232/DCMD USB | |
| MD 100 T | 0.01 mm | 100 mm | 60 mm | 8 h 6 | 20 µm ± 1 Digit | DCMD 232/DCMD USB | |
| FMD 100 T | 0.001 mm | 100 mm | 60 mm | 8 h 6 | 8 µm | DCMD 232/DCMD USB | |
| DK 30 | 0.001 mm | 0.8 mm | 44 mm | - | 10 µm | DCKMD 232/DCKMD USB | model lever type |

| Accessories | Model | Technical features | Suitable for model |
|-------------|----------------|---|--|
| Data cable | DCMV 232 | 2m long, SUB-D jack 9-pin | MDMV 12 T |
| Data cable | DCMV DIGIMATIC | 2m long, flat connector 10-pin | MDMV 12 T |
| Data cable | DCMD 232 | Max. 15 m, standard 2m long, SUB-D jack 9-pin/F | MD 12 T, MD 25 T, MD 50 T, MD 100 T FMD12T, FMD25T, FMD50T, FMD100T |
| Data cable | DCMD USB | 2m long, USB connector | MD 12 T, MD 25 T, MD 50 T, MD 100 T FMD12T, FMD25T, FMD50T, FMD100T |
| Data cable | DCKMD 232 | Max. 15 m, standard 2m long, SUB-D jack 9-pin/F; power supply | KMD 12 T, KMD 12 Twa, FKMD 12 T, DK 30, KMD 5 R, FKMD 5 R |
| Data cable | DCKMD USB | 2m long, USB connector | KMD 12 T, KMD 12 Twa, FKMD 12 T, DK 30, KMD 5 R, FKMD 5 R |
| Battery | BCR 2032 | Lithium 3V type CR 2032 | For all Digital Gauges |

The cable for data transmission is not included in the scope of supply of Digital Dial Gauges but has to be ordered separately.