

VERNIER BORE GAGES

78XT BORE GAGES

.080-12"/1-300MM

The 78XT Bore Gages feature extended travel, reducing the need to exchange anvils. The ground contact points seat the internal micrometer faster and more accurately than the spherical contacts found in other gages. These rugged and accurate internal micrometers are available individually or in economical sets from .080-12" (2-300mm).

78XT Bore Gages, 2-Point Contact (.080-.250" Range)

Range Inch	Accuracy Inch	Approximate Measuring Depth Inch	Setting Ring Diameter Inch	Cat. No.	EDP
.080-.100	.00010	3/8	.100	78XTZ-100	68124
.100-.120				78XTZ-120	68125
.120-.160	.00010	15/32	.160	78XTZ-160	68126
.160-.200				78XTZ-200	68127
.200-.250	.00010	3/4	.200	78XTZ-250	68128

78XT Bore Gages, 3-Point Contact (1/4-12" Range)

1/4-5/16	.00015	2-1/4	.3125	78XTZ-312	68129
5/16-3/8				78XTZ-375	68130
3/8-1/2				78XTZ-500	68131
1/2-5/8	.00015	2-7/16	.500	78XTZ-625	68132
5/8-3/4				78XTZ-750	68133
3/4-1	.00015	2-5/8	.750	78XTZ-1	68134
1-1-3/8				78XTZ-138	67674
1-3/8-2	.00015	3-1/16	1.375	78XTZ-2	67675
2-2-5/8				78XTZ-258	67676
2-5/8-3-1/4	.00020	3-1/16	2.625	78XTZ-314	67677
3-1/4-4				78XTZ-4	67678
4-5	.00025	4	5.0	78XTZ-5	67679
5-6				78XTZ-6	67680
6-7	.00030	4-1/2	7.0	78XTZ-7	67681
7-8				78XTZ-8	67682
8-9	.00030	4-5/8	9.0	78XTZ-9	67857
9-10				78XTZ-10	67858
10-11	.00035	4-5/8	11.0	78XTZ-11	67859
11-12				78XTZ-12	67860

78XT Sets, 2-Point Contact (.250" Range)

Range	No. of Heads	No. of Rings	Cat. No.	EDP
.120-.250"	3	2	S78XTBZ	68152

78XT Sets, 3-Point Contact (1/4-4" Range)

1/4-3/8"	2	1	S78XTCZ	68153
3/8-3/4"	3	2	S78XTDZ	68154
3/4-2"	3	2	S78XTEZ	67683
2-4"	3	2	S78XTFZ	67684



78XTZ-138 Measuring a bore

FEATURES

- Wide measurement range without changing anvils
- Resolution from .0001" (0.0025mm) on the 2-point contact tool up to 1/4" (6mm) and .00025" (0.005mm) on the 3-point contact tools ranging from 1/4"-12" (6mm - 300mm)
- Tungsten carbide measuring faces on all 3-point heads above 1/2" (12.5mm)
- Ratchet stop ensures consistent measurements
- Self-centering contacts for true readings
- Blind bore measuring capability above 1/2" (12.5mm) diameter
- Extensions available up to 6" (150mm) for deep hole measuring
- Setting rings included
- Depth stop/collar also available for .080"-.250" (1-6mm) range
- Each micrometer bore gage is furnished in a case, complete with setting ring, contacts, wrenches, and instructions



ELECTRONIC BORE GAGES

78MXT BORE GAGES

See specifications on previous page

78MXT Bore Gages, 2-Point Contact (1-6mm Range)					
Range (mm)	Accuracy (mm)	Approximate Measuring Depth (mm)	Setting Ring Dia (mm)	Cat. No.	EDP
1-1.15mm	0.003mm	6mm	1mm	78MXTZ-1.15	68135
1.15-1.3mm		6mm	1.3mm	78MXTZ-1.3	68136
1.3-1.5mm		6mm	1.3mm	78MXTZ-1.5	68137
1.5-1.75mm		8mm	1.75mm	78MXTZ-1.75	68138
1.75-2mm		8mm	1.75mm	78MXTZ-2	68139
2-2.5mm	0.004mm	9mm	2.5mm	78MXTZ-2.5	68140
2.5-3mm		9mm	2.5mm	78MXTZ-3	68141
3-4mm		12mm	4mm	78MXTZ-4	68142
4-5mm		18mm	4mm	78MXTZ-5	68143
5-6mm		18mm	5mm	78MXTZ-6	68144
78MXT Bore Gages, 3-Point Contact (6-300mm Range)					
6-8mm	0.004mm	58mm	8mm	78MXTZ-8	68145
8-10mm		58mm	8mm	78MXTZ-10	68146
10-12.5mm		58mm	12.5mm	78MXTZ-12.5	68147
12.5-16mm		62mm	12.5mm	78MXTZ-16	68148
16-20mm		62mm	20mm	78MXTZ-20	68149
20-25mm	0.005mm	66mm	20mm	78MXTZ-25	68150
25-35mm		66mm	35mm	78MXTZ-35	67861
35-50mm		80mm	35mm	78MXTZ-50	67862
50-65mm		80mm	65mm	78MXTZ-65	67863
65-80mm		80mm	65mm	78MXTZ-80	68650
80-100mm		100mm	80mm	78MXTZ-100	67864
100-125mm	0.006mm	115mm	125mm	78MXTZ-125	67865
125-150mm			125mm	78MXTZ-150	67866
150-175mm	0.007mm	115mm	175mm	78MXTZ-175	67867
175-200mm			175mm	78MXTZ-200	67868
200-225mm	0.008mm	118mm	225mm	78MXTZ-225	67869
225-250mm			225mm	78MXTZ-250	67870
250-275mm	0.009mm	118mm	275mm	78MXTZ-275	67871
275-300mm			275mm	78MXTZ-300	67872

78MXT Sets, 2-Point Contact (2-6mm Range)				
Range	No. of Heads	No. of Rings	Cat. No.	EDP
2-3 mm	2	1	S78MXTAZ	68155
3-6 mm	3	2	S78MXTBZ	68156
78XT Sets, 3-Point Contact (6-100mm Range)				
6-10mm	2	1	S78MXTCZ	68157
10-20mm	3	2	S78MXTDZ	68158
20-50mm	3	2	S78MXT EZ	67873
50-100mm	3	2	S78MXTFZ	67874



78MXTZ-150 in case



78MXTZ-100



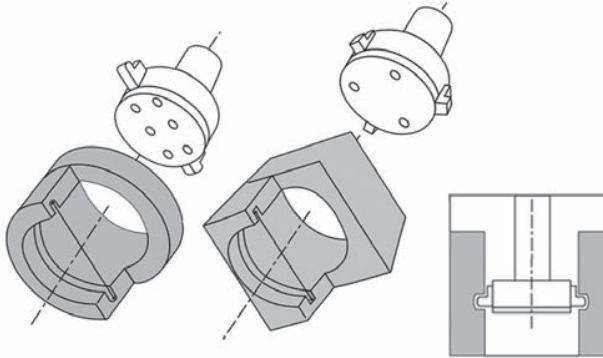
BORE GAGE HEADS

SPECIAL BORE GAGE MEASURING HEADS

We offer several configurations of special purpose measuring heads for 780, and 781 Bore Gages, available by special order. Some, but not all, of these will also work with the 78 Bore Gages.

GROOVE MEASURING HEADS

- **Groove.** Available as a 2-point system for ovality measurement.
- Various 2-point anvil forms available with diameters from .080-12" (2-300mm).
- **Grooves.** Available as a 3-point system
- Various 3-point anvil forms available for diameters from .250-12" (6-300mm).



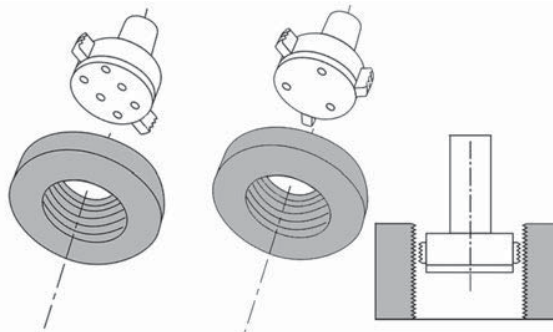
2-point and 3-point heads are available with various anvils to measure specialized internal grooves



THREAD MEASURING HEADS

Thread Measuring Heads are available as two point system from 8 to 5/16" (M4-8mm) and three point system from 3/8"-12" (9.5-300mm). Most forms available including UNC, UNF, UNJ, UNS, Buttress, Acme, Multi-start, LH and RH.

- **Thread.** Thread forms available as a 3-point system.
- **Internal.** To measure effective (functional) diameter, pitch diameter.
- Available as two point system from 8 to 5/16" (M4-8mm) Available as three point system from 3/8"-12" (9.5-300mm).
- Most forms available including UNC, UNF, UNJ, UNS, Buttress, Acme, Multi-start, LH and RH.

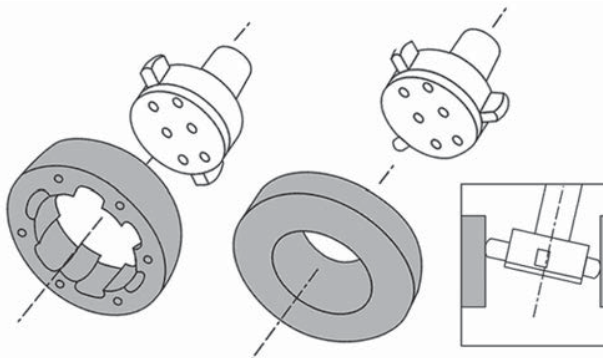


2-point and 3-point heads are available with various anvils to measure specialized internal grooves



SPHERICAL RADIUS MEASURING HEADS

- **Spherical Radius.** Available as 2-point to measure ovality or with 3-point contact.
- Available with diameters from .236-3.93" (6-100mm).
- **3-Point Spherical.** Available in .118-12" (3-300mm) range.
- Gives good repeatability even when somewhat out of line with bore center.



2-point and 3-point spherical radius heads heads are available

