

PosiTector® **UTG**

Ultrasonic Thickness Gage

NEW



Measures the wall thickness of materials such as steel, plastic and more



New UTG ME

Thru-Paint model measures the metal thickness of a painted structure without having to remove the coating.



DeFelsko®

The Measure of Quality

Tough **NEW** Features

- USB/IR Ports for downloading to a PC, printer or data collector

- Solvent, acid, oil, water and dust resistant—meets or exceeds IP5X

- Scratch and solvent resistant lens

UTG shown in Memory Mode

- Thick impact-resistant Lexan® display

- Bi-color indicator light for HI/Lo Alarm

- Hi-grade, industrial strength housing

- Shock-absorbing, protective rubber holster

- Quality high-flex cable and strain relief

- Zero plate



Choose the right model for your application



UTG Std measures the remaining wall thickness of steel, cast iron and more due to the effects of corrosion and erosion.



UTG ME Thru-Paint model measures the metal thickness of a painted structure without having to remove the coating.

UTG Std Probe

- Stainless steel probe with knurled finger grip

- Automatic V-Path compensation for thin materials

- 5 MHz dual element transducer



UTG ME Probe

- User selectable Single Echo and Multiple Echo techniques

- Stainless steel probe with knurled finger grip

- 5 MHz contact probe with wear resistant Alumina probe tip



Visit www.defelsko.com/applications.htm to view Inspection Application Notes

PosiTector® Ultrasonic Thickness Gages

All Gages Feature...

Simple

- Large, easy-to-read, graphics LCD with multilingual support
- One-handed menu navigation
- Pre-programmed velocities – simply select from a list of common materials or enter your own with ease
- Bi-color indicator light – ideal in a noisy environment
- RESET feature instantly restores factory settings

Durable

- Solvent, acid, oil, water and dust resistant – meets or exceeds IP5X
- Scratch/Solvent resistant display suitable for harsh environments
- Shock-absorbing, protective rubber holster with belt clip
- Two (2) year warranty on both gage body and probe

Accurate

- Precision transducers provide fast, accurate readings
- Certificate of Calibration showing traceability to NIST included with every gage
- Conforms to national and international standards including ASTM E797

Versatile

- HiLo Alarm – dual-tone alarm and bi-color indicator light audibly and visibly alerts when measurements exceed operator selected limits
- Internal memory stores up to 10,000 readings in up to 1,000 batches
- Built-in Clock – date and time stamps each stored measurement
- USB and IR ports for downloading to a PC, printer or data collector
- Single or two point adjustment
- Inch/mm switchable
- Backlit display for dim or dark environments
- Selectable display languages



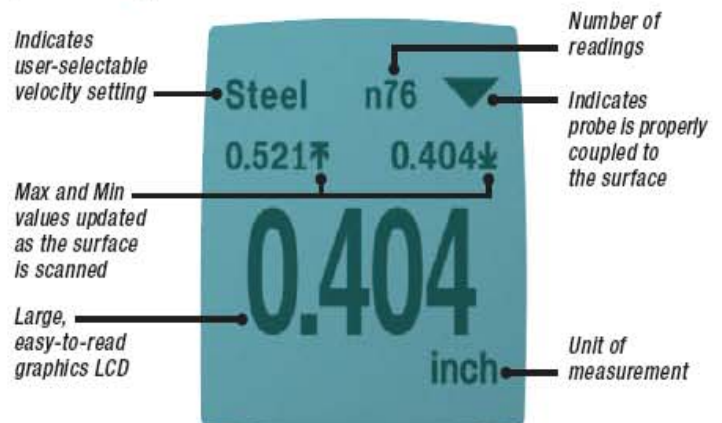
Flip Display enables right-side-up viewing whether the gage is in your hand, on your belt or on a work table

Select from Two Models

UTG Std model measures the wall thickness of materials such as steel, plastic and more. Ideal for measuring the effects of corrosion or erosion on tanks, pipes or any structure where access is limited to one side.

- 5 MHz dual element transducer
- Scan Mode – measurement rate of 20 readings per second with on-screen min and max for quick inspection over a large area

Example of Scan Mode Display (UTG Std only)



UTG ME model features Thru-Paint capability to quickly and accurately measure the metal thickness of a painted structure without having to remove the coating. The most accurate method to measure remaining wall thickness of a painted structure because it automatically disregards the coating, lowering inspection time and expense. Also ideal for measuring on sandblasted materials or other applications requiring a more durable wear face.

- 5 MHz contact probe with wear resistant Alumina probe tip
- **Multiple Echo** technique averages 3 or more echoes for accurate and reliable readings
- Toggle easily between
 - Multiple Echo** mode to eliminate coating thickness, and...
 - Single Echo** mode to detect pits and flaws, and to increase the measurement range
- Built-in temperature compensation ensures measurement accuracy



SPECIFICATIONS

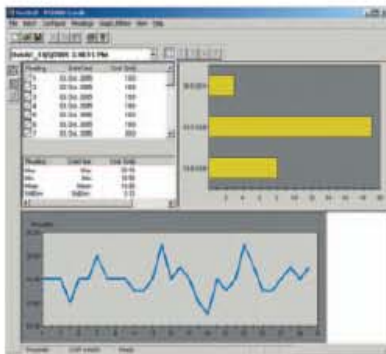
PosiTector UTG Model	UTG Std	UTG ME	
Probe Type	5 MHz dual element	5 MHz contact	
Mode	Single Echo	Single Echo	Multiple Echo
Measurement Range*	0.040" to 5.000" 1.00 to 125.00 mm	0.100 to 5.000" 2.50 to 125.00 mm	0.100 to 2.500" 2.50 to 60.00 mm
Thru-Paint Capability	no	no	yes
Measurement Rate – Normal	6 readings/sec	3 readings/sec	
Measurement Rate – Scan	20 readings/sec	n/a	
Resolution	0.001" / 0.01 mm	0.001" / 0.01 mm	
Accuracy	±0.001" / ±0.03 mm	±0.001" / ±0.03 mm	

*Measurement range is for carbon steel and depends upon surface condition, temperature and material.

Options

PosiSoft® for Windows® analysis software

- Allows entry of notes and annotations
- Prints and displays basic charts and histograms
- Exports to a document or spreadsheet
- Includes USB cable
- Free updates



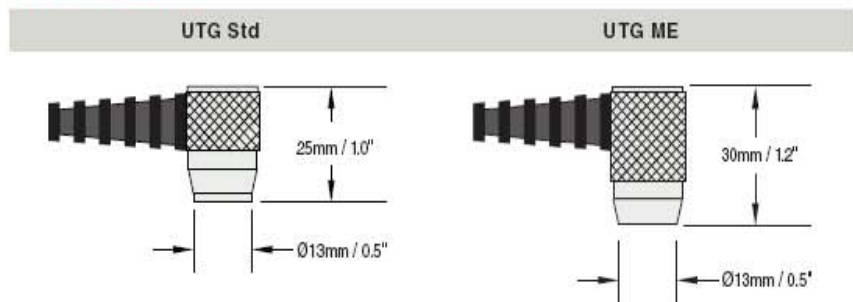
Calibration Test Block (shown on front) to fulfill both ISO and in-house quality control requirements.

AC Power Cable for continuous operation.

IR Printer receives data from all models via wireless infrared.



Probe Details



ALL GAGES COME COMPLETE with probe, couplant, protective rubber holster with belt clip, 3 AAA batteries, instructions, nylon carrying case with shoulder strap, Certificate of Calibration traceable to NIST, two (2) year warranty.

SIZE: 146 x 64 x 31 mm (5.75" x 2.5" x 1.2")

WEIGHT: 165 g (5.8 oz.) without batteries
Conforms to ASTM E797